

F4

4-Bolt Waterproof Flange Bearing Units

With NG stainless steel spherical insert bearing, eccentric collar locking

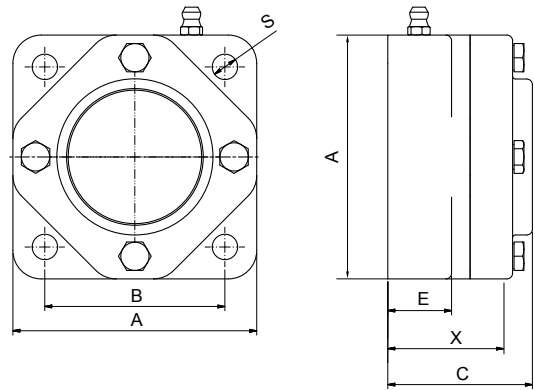
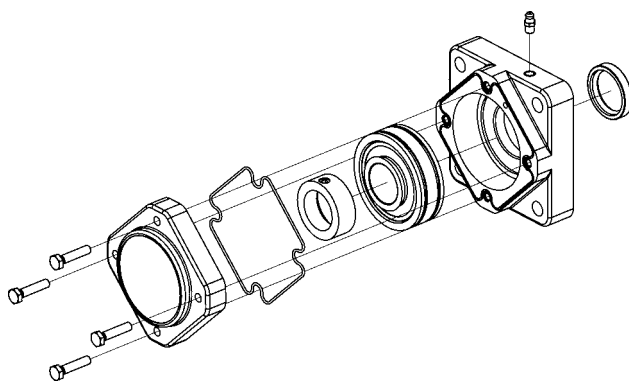


/// FDA and EU food grade according to the framework of regulation 21 CFR 175.300 and (EC) No. 1935/2004
 /// USDA accepted and meets the NSF/ANSI/3-A 14159-1-2010 standard

F4

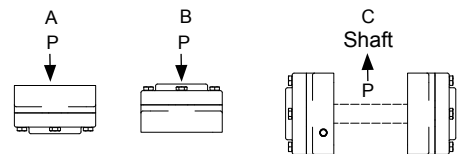
Drawings

Download 2D and 3D drawings, brochures and other documentation from www.bj-gear.com



The construction permits a misalignment of the bearing, of up to +/-3°

Load types for houses



Type F4	Item No. closed cover	Item No. open cover	A	B	C	E	S	X	Weight [kg]	Load types [kN] (Houses)		
										Type A	Type B	Type C
Ø20 mm	NG20F40	NG20F41	86	63.5	51	22.5	9	43	0.52	9.16	17.44	33.57
Ø25 mm	NG25F40	NG25F41	95	70	52	22.5	9	44	0.63	8.48	25.89	34.41
Ø30 mm	NG30F40	NG30F41	108	82.5	58	22.5	11	48	0.91	9.35	25.30	37.65
Ø35 mm	NG35F40	NG35F41	118	92	60	22.5	13.5	50	1.10	9.17	21.54	64.72
Ø40 mm	NG40F40	NG40F41	130	101.5	65	22.5	13.5	56	1.50	8.82	27.67	83.17
Ø50 mm	NG50F40	NG50F41	143	111	70	26.5	16	58	1.84	8.83	40.27	112.39
Ø60 mm	NG60F40	NG60F41	175	143	82	28.5	18	70	3.09	9.09	51.08	136.79

All measurements in millimeters. When ordering please use the catalog No.

BJ-Gear A/S
 Niels Bohrs Vej 47
 DK-8660 Skanderborg
 Denmark

Phone +45 87 40 80 80
 Fax +45 87 40 80 81
bj@bj-gear.com
www.bj-gear.com

bj.gear

dedicated gear drive solutions