

S2

2-Bolt Waterproof Pillow Block Bearing Units with Thread

With NG stainless steel spherical insert bearing, eccentric collar locking

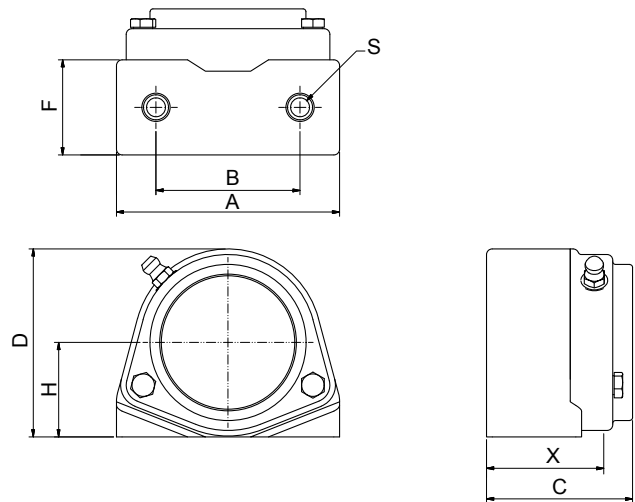
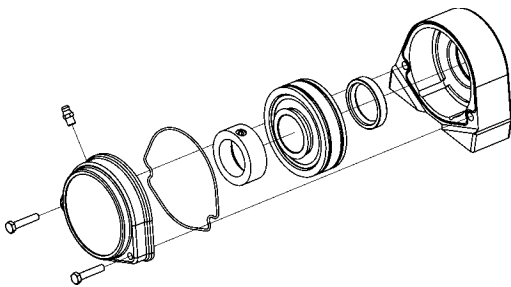


/// FDA and EU food grade according to the framework of regulation 21 CFR 175.300 and (EC) No. 1935/2004
 /// USDA accepted and meets the NSF/ANSI/3-A 14159-1-2010 standard

S2

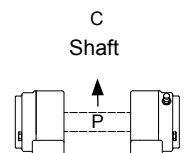
Drawings

Download 2D and 3D drawings, brochures and other documentation from www.bj-gear.com



The construction permits a misalignment of the bearing, of up to +/-3°

Load types for houses



Type S2	Item No. closed cover	Item No. open cover	A	B	C	D	F	H	S	X	Weight [kg]	Load Rating [kN] (Houses)
												Type C
Ø20 mm	NG20S20	NG20S21	79	50.8	52	67	33.5	33.3	M8	43	0.40	21.71
Ø25 mm	NG25S20	NG25S21	87	50.8	53	73	34.5	36.5	M8	44	0.50	17.41
Ø30 mm	NG30S20	NG30S21	100	76.2	59	85	38.5	42.9	M10	48	0.80	23.97
Ø35 mm	NG35S20	NG35S21	110	82.6	60	93	38.5	47.6	M12	52	0.94	22.08
Ø40 mm	NG40S20	NG40S21	122	88.9	66	100	42.5	49.2	M12	58	1.30	26.96

All measurements in millimeters. When ordering please use the catalog No.

BJ-Gear A/S
 Niels Bohrs Vej 47
 DK-8660 Skanderborg
 Denmark

Phone +45 87 40 80 80
 Fax +45 87 40 80 81
bj@bj-gear.com
www.bj-gear.com

bj.gear

dedicated gear drive solutions