

SF2

2-Bolt Waterproof Pillow Block Bearing Units

With NG stainless steel spherical insert bearing, eccentric collar locking

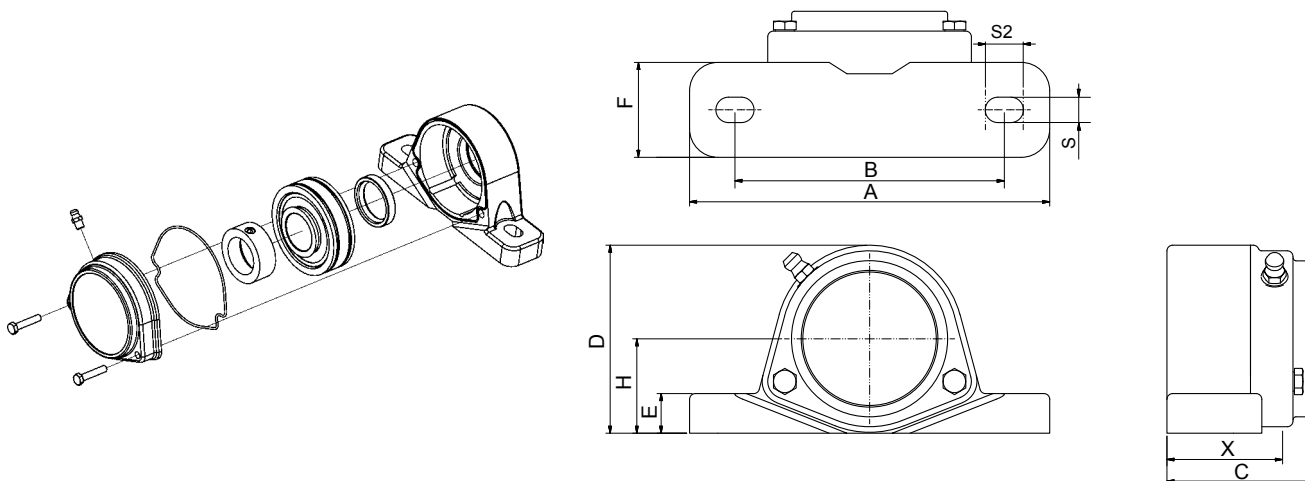


/// FDA and EU food grade according to the framework of regulation 21 CFR 175.300 and (EC) No. 1935/2004
 /// USDA accepted and meets the NSF/ANSI/3-A 14159-1-2010 standard

SF2

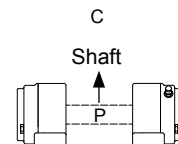
Drawings

Download 2D and 3D drawings, brochures and other documentation from www.bj-gear.com



The construction permits a misalignment of the bearing, of up to +/-3°

Load types for houses



Type SF2	Item No. closed cover	Item No. open cover	A	B	C	D	E	F	H	S	S2	X	Weight [kg]	Load Rating [kN] (Houses)
														Type C
Ø20 mm	NG20SF20	NG20SF21	127	95	52	67	14	33.5	33.3	9	13.5	43	0.42	12.49
Ø25 mm	NG25SF20	NG25SF21	140	105	53	73	15	34.5	36.5	9	13.5	44	0.51	11.38
Ø30 mm	NG30SF20	NG30SF21	160	121	59	85	17	38.5	42.9	11	16.5	48	0.77	17.21
Ø35 mm	NG35SF20	NG35SF21	167	127	60	93	18	38.5	47.6	13	19.5	52	0.93	14.67
Ø40 mm	NG40SF20	NG40SF21	184	137	66	100	18	42.5	49.2	13	19.5	54	1.30	19.42

All measurements in millimeters. When ordering please use the catalog No.

BJ-Gear A/S
 Niels Bohrs Vej 47
 DK-8660 Skanderborg
 Denmark

Phone +45 87 40 80 80
 Fax +45 87 40 80 81
bj@bj-gear.com
www.bj-gear.com

bj-gear
 dedicated gear drive solutions