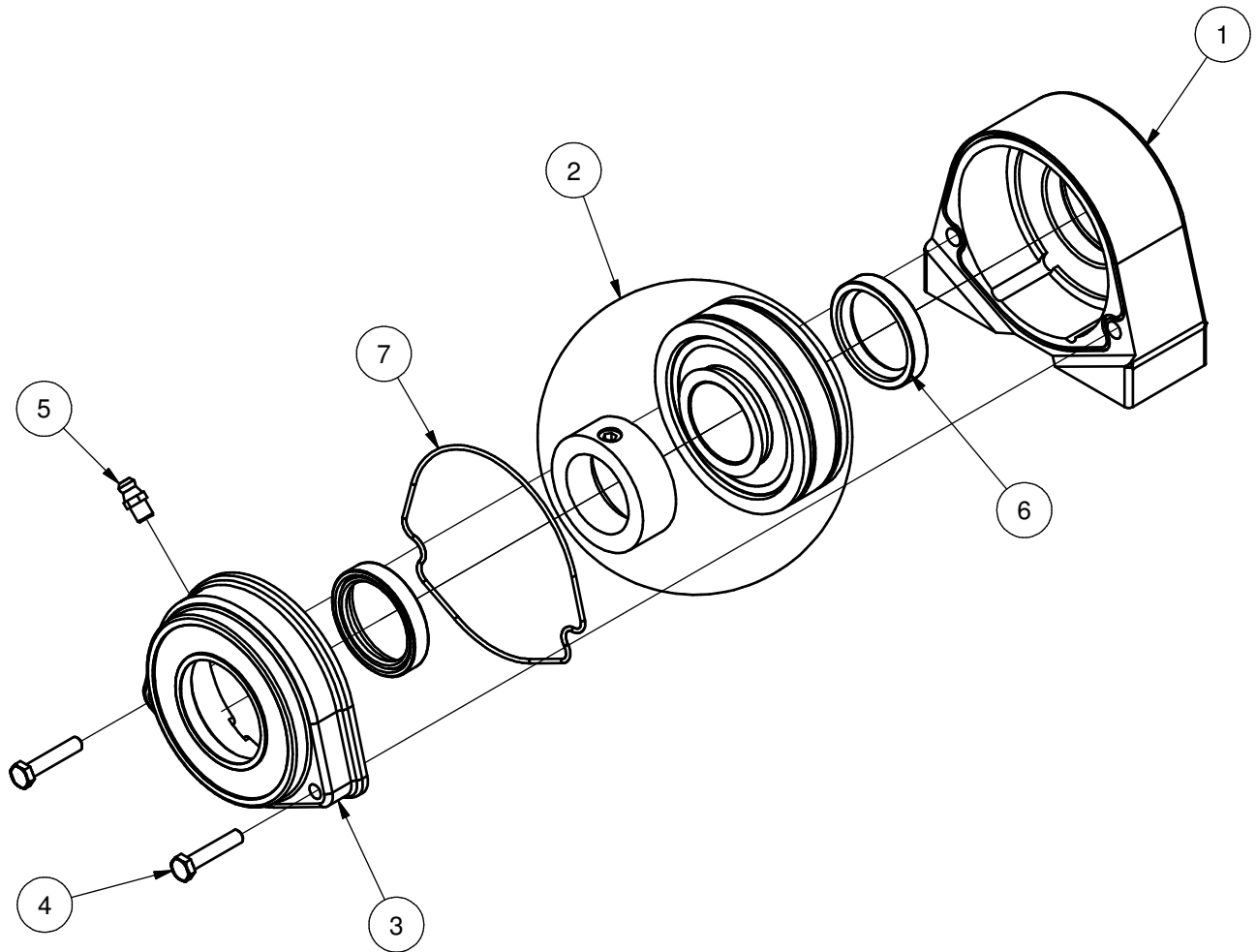
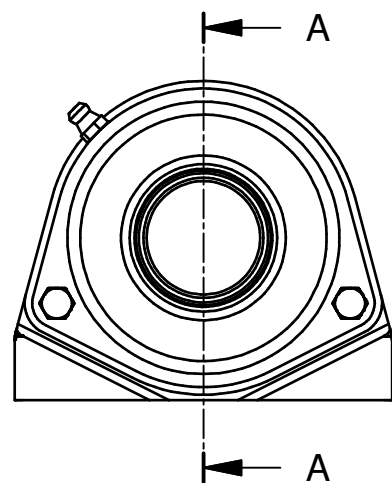
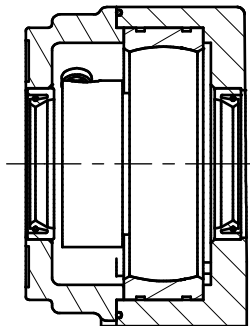


NG30 - S2-O



A-A



Pos	Pcs	Identifications no.	Description
1	1	NG30 - S2 - 1	Housing Unit
2	1	NG30 - S2 - 7	Ball Bearing
3	1	NG30 - S2 - O-3	Cover (Open)
4	2	NG30 - S2 - 4	Set Bolt
5	1	NG30 - S2 - 5	Lubrication Nippel
6	2	NG30 - S2 - 6	Shaft Seal Ring
7	1	NG30 - S2 - 7	O-Ring

BJ-Gear A/S

Niels Bohrs Vej 47

DK-8660 Skanderborg

Denmark

VAT No. DK 10166470

Phone

Fax

Email

Website

+45 87 40 80 80

+45 87 40 80 81

bj@bj-gear.com

www.bj-gear.com

This drawing is a property of BJ-Gear A/S and may not be copied or used without permission